

# PEGASUS 2 AL4250



Optimum Reflector System Patent No. 1151226



## Benefits

- Another flat glass lantern for mounting heights of between 5m and 8m
- Thanks to the Optimum Reflector System you'll need fewer lighting points meaning you'll save on installation and maintenance costs – there'll be less cable, gear, lamp replacement, power consumption and waste

## Features

- High performance Optimum Reflector System is highly polished and anodised aluminium, producing a square illuminance distribution at ground level
- UV stabilised clear polycarbonate bowl
- Canopy in ABS plastic, available in white as standard with black and dark/silver grey on request but may carry a surcharge
- 76mm entry diameter spigot in cast aluminium, available in colours to match the canopy
- Two lamp type options: high pressure sodium or metal halide, with integral gear
- Four lamp size options: 150W up to 450W (metal halide)
- Option of an internal shield to give asymmetric distribution and backward overspill control

## Applications

- Retail and leisure car parks
- Large area lighting

## Lighting distribution

- Square
- Asymmetric (utilising optional internal shield)

## Colours

- RAL9003 White (standard)
- RAL9007 Gunmetal
- RAL9005 Black

Gunmetal and Black are available on request and at extra cost.

	Lamp wattage and type	Lamp holder	Description	Weight (Kg)*	Windage (m <sup>2</sup> )
<b>AL4251</b>	150/250/400W SONP-T 150/250/400/450W HQI-T	E40	Square distribution; integral control gear	10.0	0.206
<b>AL4252</b>	150/250/400W SONP-T 150/250/400/450W HQI-T	E40	Asymmetric distribution; integral control gear	10.5	0.206

\*Max in range.



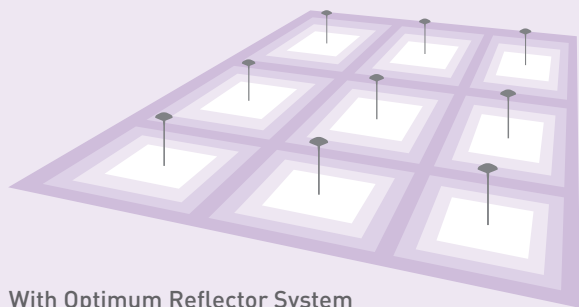
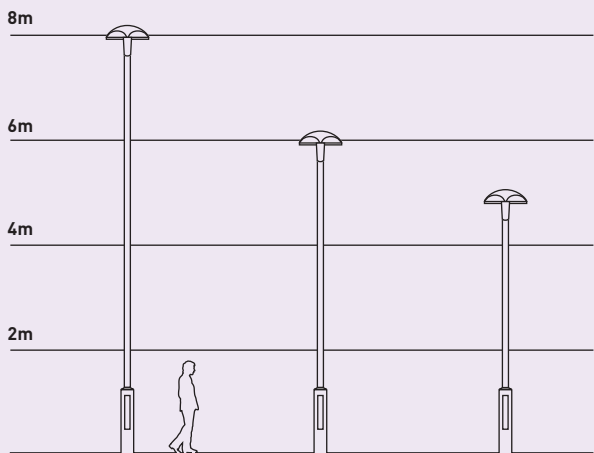
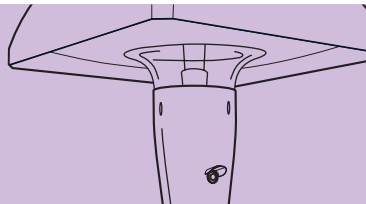
### Column options

Choose between fixed and base hinged

	8m	6m	5m
Fixed	TB08.AM2	TB06.AM2	TB05.AM2
Base	T088RLH.AM2	T061RLS.AM2	T051RLS.AM2

### Accessories

AL4250/PC Photocell



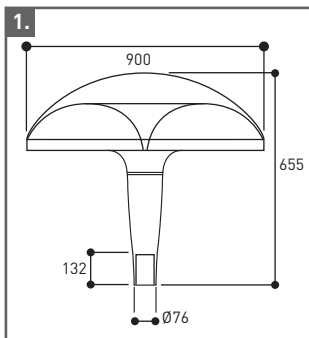
With Optimum Reflector System  
Please see page 9 for further information.

### Spotlight on Pegasus

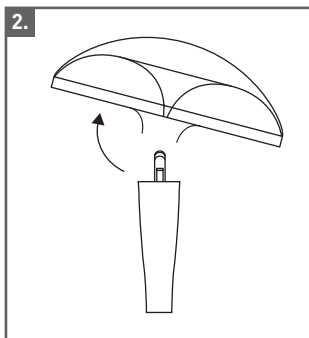
Also available with a twin arm option – BKTD.AM2.



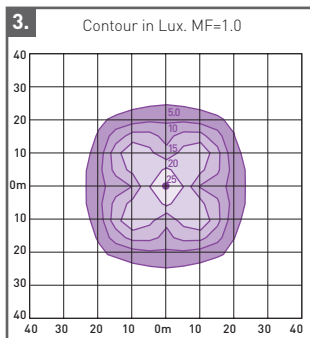
### Key features



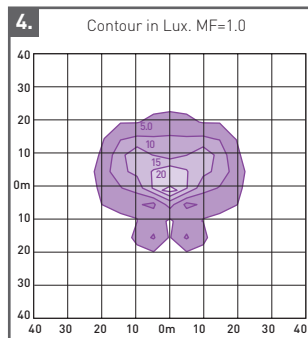
**Dimensions & Mounting**  
Direct spigot entry onto 76mm diameter column shafts  
Mounting height: 5m – 8m



**Maintenance**  
Release three screw clamps and lift lantern canopy



**Square distribution**  
Lamp 400W SONP-T  
Mounting height: 8m



**Asymmetric distribution**  
Lamp 400W SONP-T  
Mounting height: 8m

All dimensions are in mm.